



McGuire Manufacturing Co., Inc.

60 Grandview Court

Cheshire, Connecticut 06410

(203) 699-1801 Fax (203) 699-1813

customerservice@mcguiremfg.com mcguiremfg.com

PRODUCT SPECIFICATION

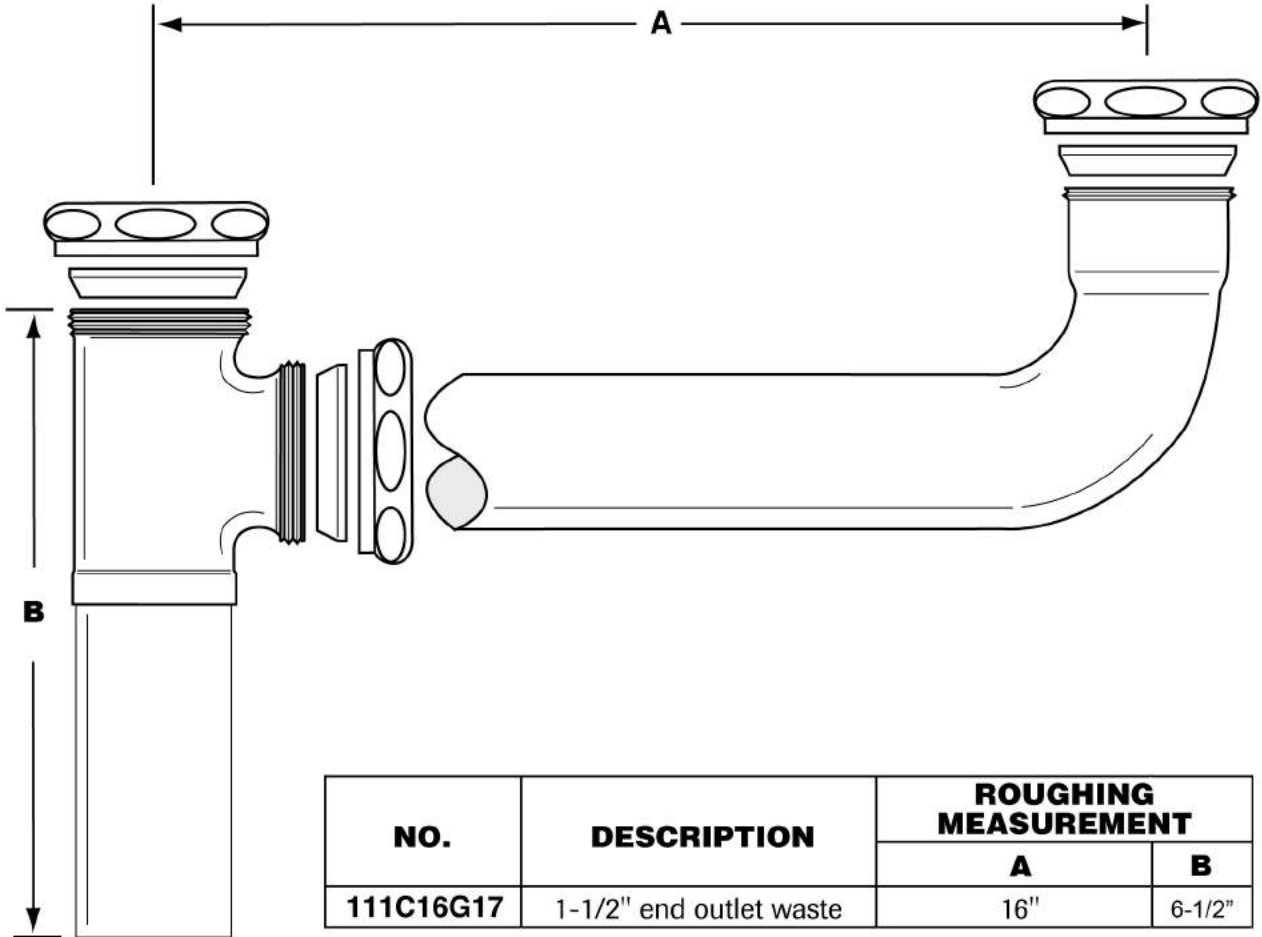
Part No.

111C16G17

**End Outlet
Continuous Waste**

Job Name:

Submittal Number:



NO.	DESCRIPTION	ROUGHING MEASUREMENT	
		A	B
111C16G17	1-1/2" end outlet waste	16"	6-1/2"



ASME A112.18.2/CSA B125.2

Specifications:

End outlet continuous waste with chrome plated satin cast brass tee, chrome plated 17 or 20 gauge seamless brass waste arm, waste tailpiece and cast brass nuts.



WARNING:

This product can expose you to chemicals including lead, which is known to the State of California to cause cancer, and birth defects or other reproductive harm. For more information go to www.P65Warnings.ca.gov.



McGuire Manufacturing Co., Inc.

60 Grandview Court

Cheshire, Connecticut 06410

(203) 699-1801 Fax (203) 699-1813

customerservice@mcguiremfg.com mcguiremfg.com

PRODUCT SPECIFICATION

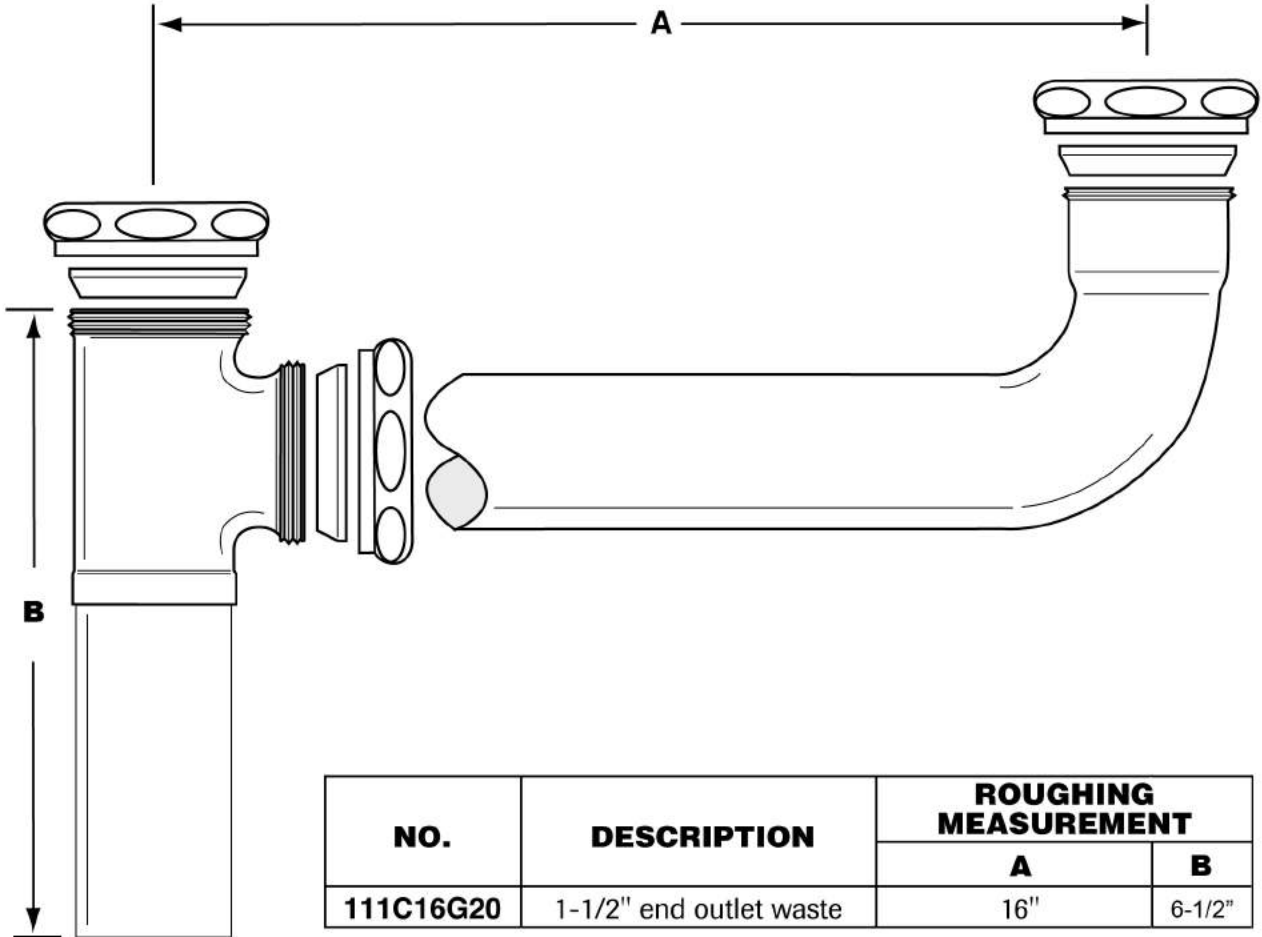
Part No.

111C16G20

**End Outlet
Continuous Waste**

Job Name:

Submittal Number:



NO.	DESCRIPTION	ROUGHING MEASUREMENT	
		A	B
111C16G20	1-1/2" end outlet waste	16"	6-1/2"



ASME A112.18.2/CSA B125.2

Specifications:

End outlet continuous waste with chrome plated satin cast brass tee, chrome plated 17 or 20 gauge seamless brass waste arm, waste tailpiece and cast brass nuts.



WARNING:

This product can expose you to chemicals including lead, which is known to the State of California to cause cancer, and birth defects or other reproductive harm. For more information go to www.P65Warnings.ca.gov.



McGuire Manufacturing Co., Inc.

60 Grandview Court

Cheshire, Connecticut 06410

(203) 699-1801 Fax (203) 699-1813

customerservice@mcguiremfg.com mcguiremfg.com

PRODUCT SPECIFICATION

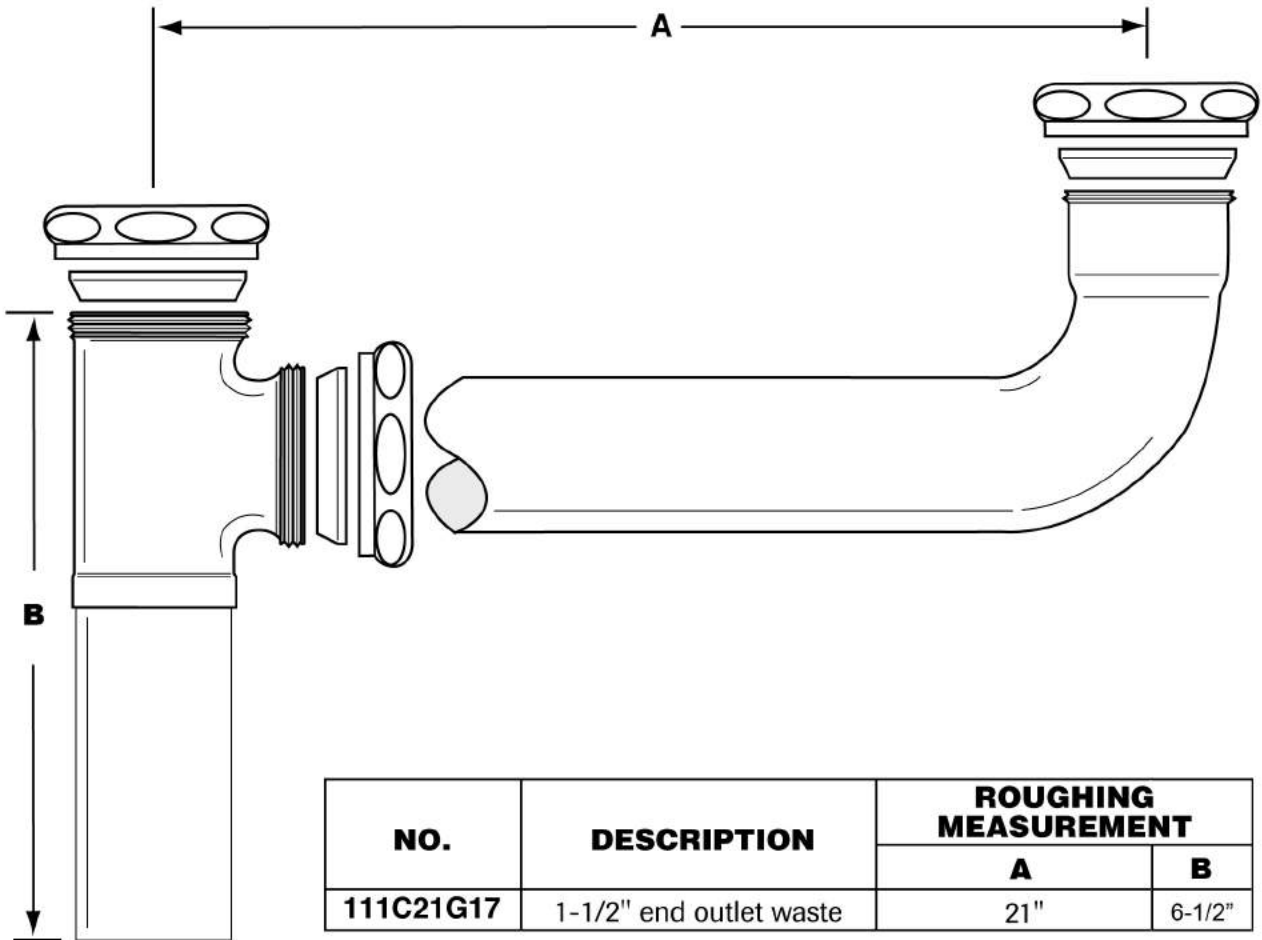
Part No.

111C21G17

**End Outlet
Continuous Waste**

Job Name:

Submittal Number:



NO.	DESCRIPTION	ROUGHING MEASUREMENT	
		A	B
111C21G17	1-1/2" end outlet waste	21"	6-1/2"



ASME A112.18.2/CSA B125.2

Specifications:

End outlet continuous waste with chrome plated satin cast brass tee, chrome plated 17 or 20 gauge seamless brass waste arm, waste tailpiece and cast brass nuts.



WARNING:

This product can expose you to chemicals including lead, which is known to the State of California to cause cancer, and birth defects or other reproductive harm. For more information go to www.P65Warnings.ca.gov.



McGuire Manufacturing Co., Inc.

60 Grandview Court

Cheshire, Connecticut 06410

(203) 699-1801 Fax (203) 699-1813

customerservice@mcguiremfg.com mcguiremfg.com

PRODUCT SPECIFICATION

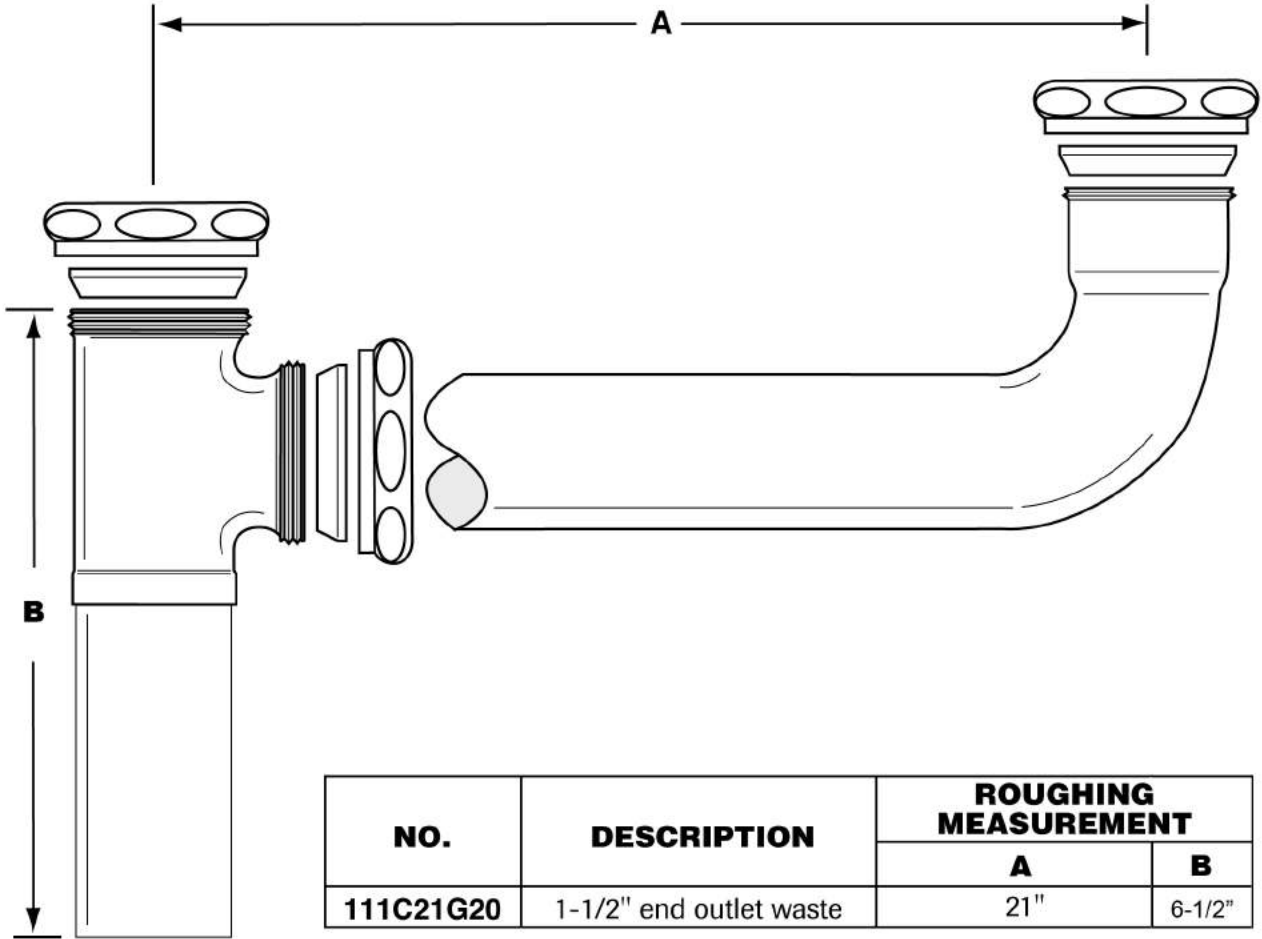
Part No.

111C21G20

**End Outlet
Continuous Waste**

Job Name:

Submittal Number:



NO.	DESCRIPTION	ROUGHING MEASUREMENT	
		A	B
111C21G20	1-1/2" end outlet waste	21"	6-1/2"



ASME A112.18.2/CSA B125.2

Specifications:

End outlet continuous waste with chrome plated satin cast brass tee, chrome plated 17 or 20 gauge seamless brass waste arm, waste tailpiece and cast brass nuts.



WARNING:

This product can expose you to chemicals including lead, which is known to the State of California to cause cancer, and birth defects or other reproductive harm. For more information go to www.P65Warnings.ca.gov.



McGuire Manufacturing Co., Inc.

60 Grandview Court

Cheshire, Connecticut 06410

(203) 699-1801 Fax (203) 699-1813

customerservice@mcguiremfg.com mcguiremfg.com

PRODUCT SPECIFICATION

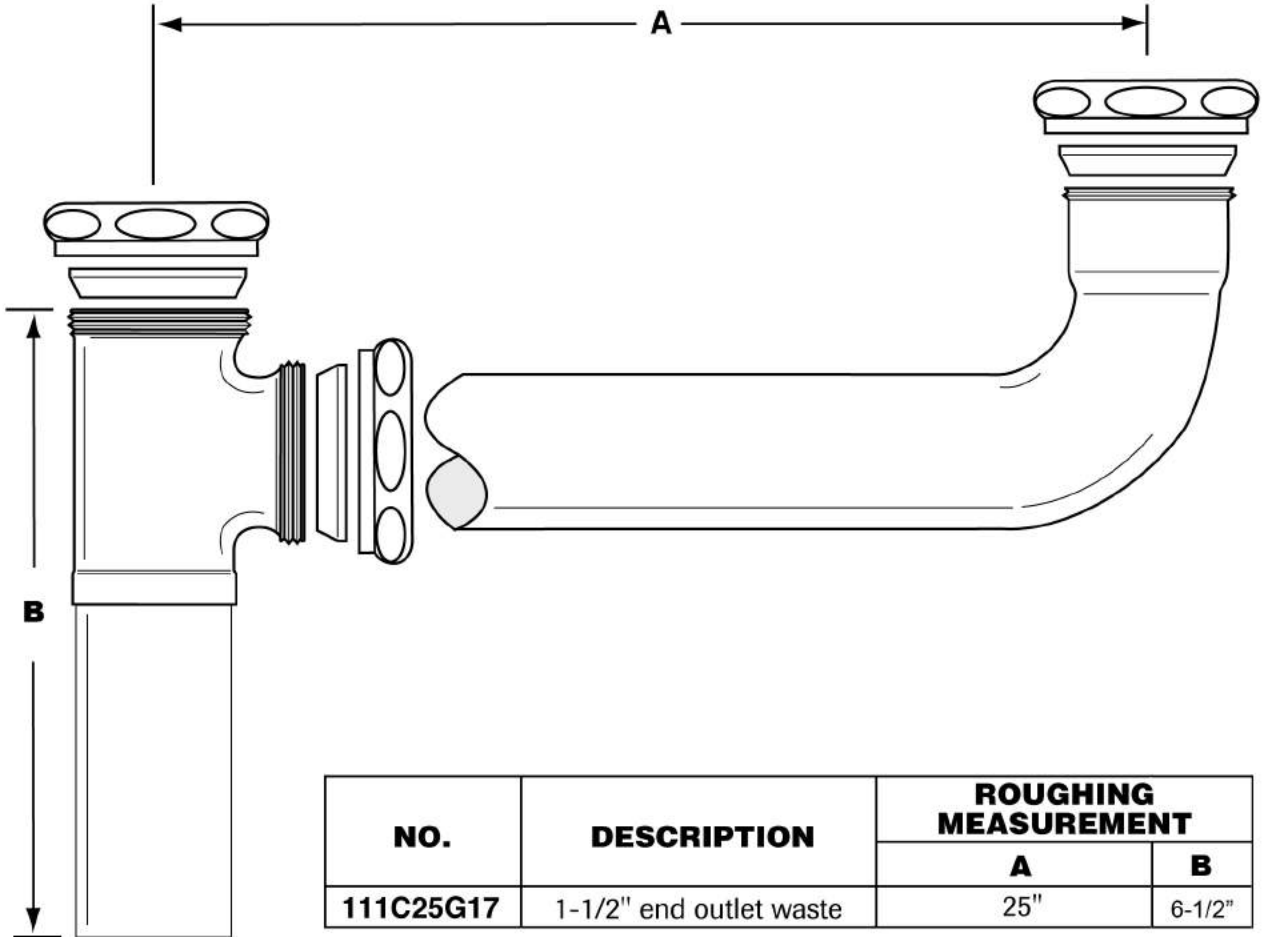
Part No.

111C25G17

**End Outlet
Continuous Waste**

Job Name:

Submittal Number:



NO.	DESCRIPTION	ROUGHING MEASUREMENT	
		A	B
111C25G17	1-1/2" end outlet waste	25"	6-1/2"



ASME A112.18.2/CSA B125.2

Specifications:

End outlet continuous waste with chrome plated satin cast brass tee, chrome plated 17 or 20 gauge seamless brass waste arm, waste tailpiece and cast brass nuts.



WARNING:

This product can expose you to chemicals including lead, which is known to the State of California to cause cancer, and birth defects or other reproductive harm. For more information go to www.P65Warnings.ca.gov.



McGuire Manufacturing Co., Inc.

60 Grandview Court

Cheshire, Connecticut 06410

(203) 699-1801 Fax (203) 699-1813

customerservice@mcguiremfg.com mcguiremfg.com

PRODUCT SPECIFICATION

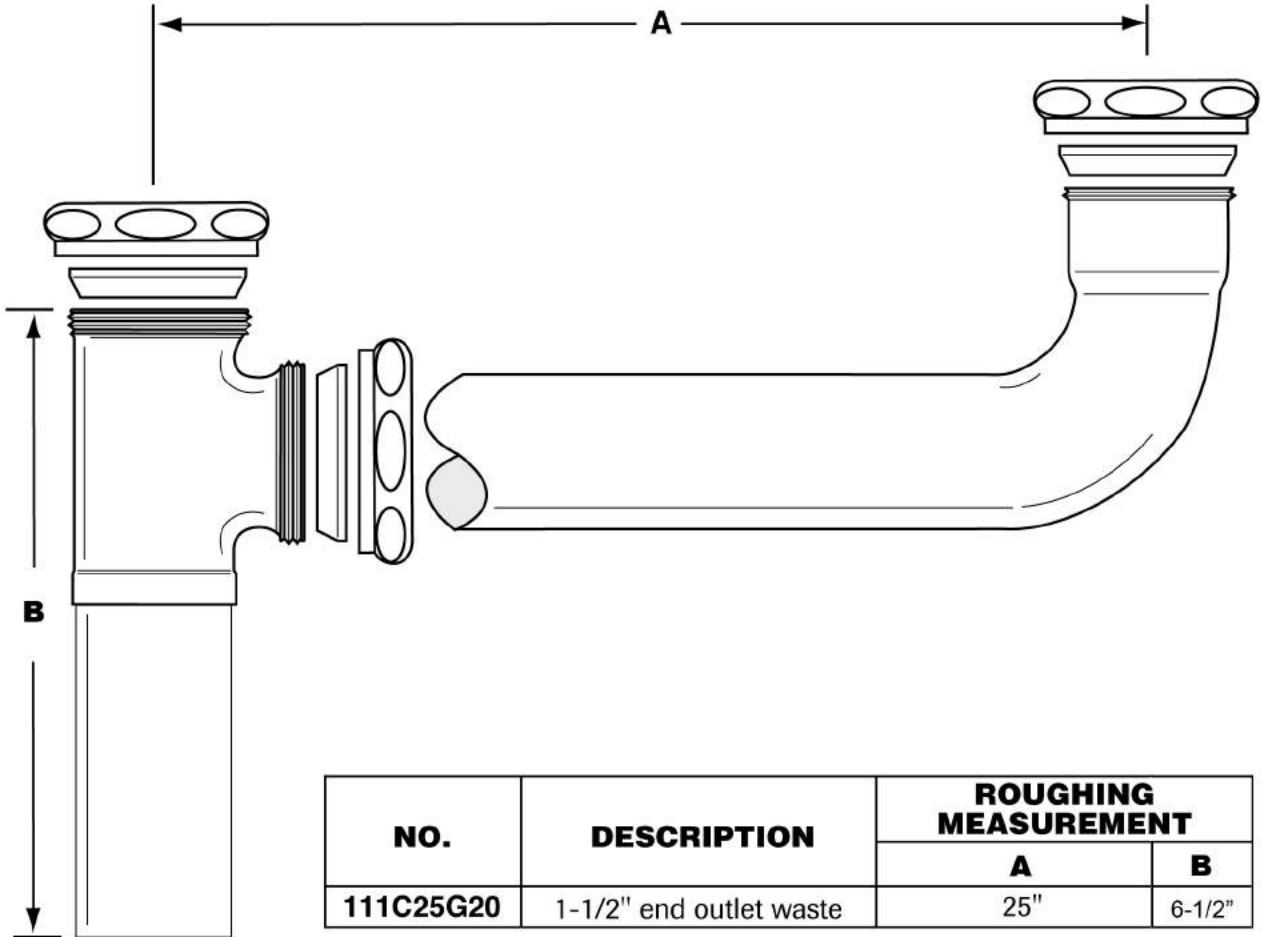
Part No.

111C25G20

**End Outlet
Continuous Waste**

Job Name:

Submittal Number:



NO.	DESCRIPTION	ROUGHING MEASUREMENT	
		A	B
111C25G20	1-1/2" end outlet waste	25"	6-1/2"



ASME A112.18.2/CSA B125.2

Specifications:

End outlet continuous waste with chrome plated satin cast brass tee, chrome plated 17 or 20 gauge seamless brass waste arm, waste tailpiece and cast brass nuts.



WARNING:

This product can expose you to chemicals including lead, which is known to the State of California to cause cancer, and birth defects or other reproductive harm. For more information go to www.P65Warnings.ca.gov.



McGuire Manufacturing Co., Inc.

60 Grandview Court
 Cheshire, Connecticut 06410
 (203) 699-1801 Fax (203) 699-1813
 customerservice@mcguiremfg.com mcguiremfg.com

PRODUCT SPECIFICATION

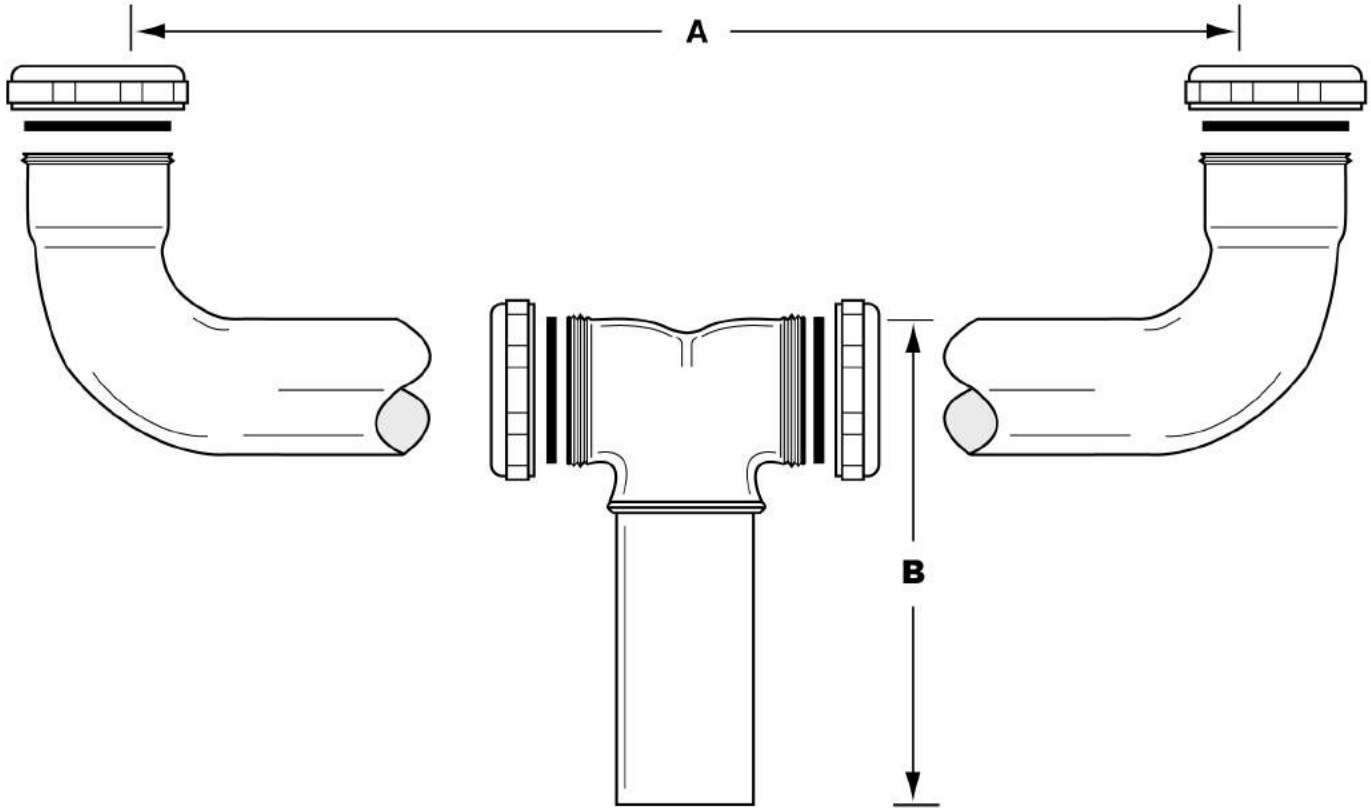
Part No.

113C16G17

**Center Outlet
 Continuous Waste**

Job Name:

Submittal Number:



NO.	DESCRIPTION	ROUGHING MEASUREMENT	
		A	B
113C16G17	1-1/2" center outlet waste	16"	6"



See options and accessories section for details on product variations.

ASME A112.18.2/CSA B125.2

Specifications:

Center outlet continuous waste with chrome plated satin cast brass tee, chrome plated 17 or 20 gauge seamless brass waste arms, brass tailpiece and nuts.



WARNING:

This product can expose you to chemicals including lead, which is known to the State of California to cause cancer, and birth defects or other reproductive harm. For more information go to www.P65Warnings.ca.gov.



McGuire Manufacturing Co., Inc.

60 Grandview Court
 Cheshire, Connecticut 06410
 (203) 699-1801 Fax (203) 699-1813
 customerservice@mcguiremfg.com mcguiremfg.com

PRODUCT SPECIFICATION

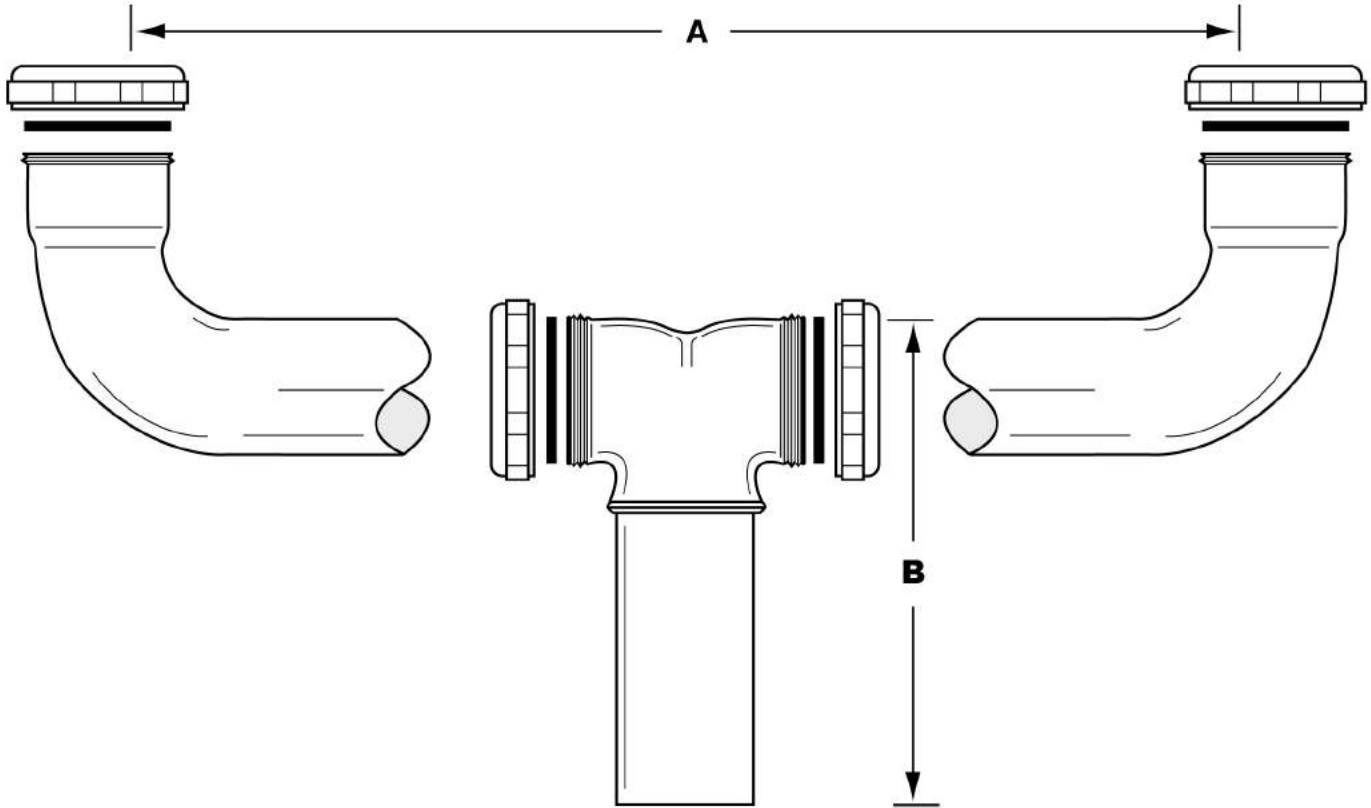
Part No.

113C16G20

**Center Outlet
 Continuous Waste**

Job Name:

Submittal Number:



NO.	DESCRIPTION	ROUGHING MEASUREMENT	
		A	B
113C16G20	1-1/2" center outlet waste	16"	6"

See options and accessories section for details on product variations.



ASME A112.18.2/CSA B125.2

Specifications:

Center outlet continuous waste with chrome plated satin cast brass tee, chrome plated 17 or 20 gauge seamless brass waste arms, brass tailpiece and nuts.



WARNING:

This product can expose you to chemicals including lead, which is known to the State of California to cause cancer, and birth defects or other reproductive harm. For more information go to www.P65Warnings.ca.gov.



McGuire Manufacturing Co., Inc.

60 Grandview Court
Cheshire, Connecticut 06410
(203) 699-1801 Fax (203) 699-1813
customerservice@mcguiremfg.com mcguiremfg.com

PRODUCT SPECIFICATION

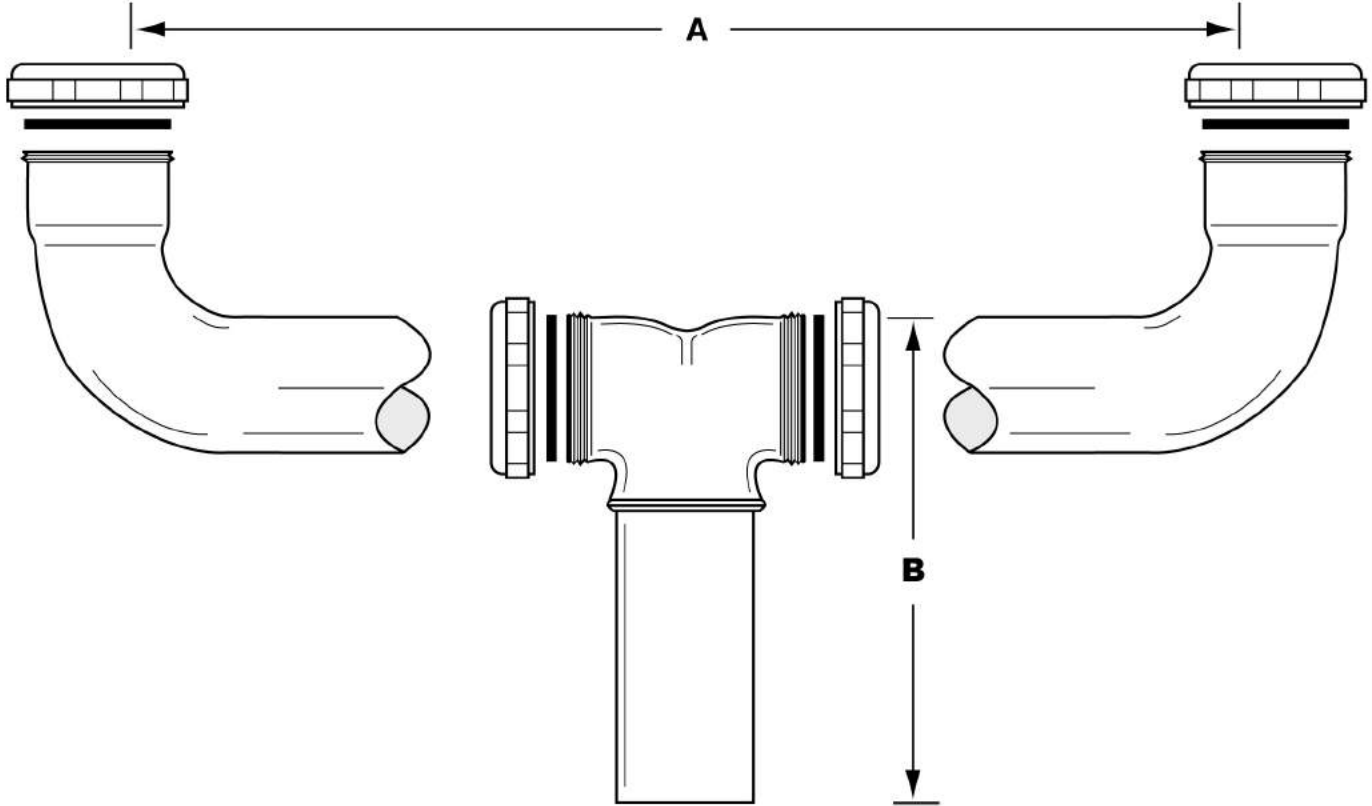
Part No.

113C21G17

**Center Outlet
Continuous Waste**

Job Name:

Submittal Number:



NO.	DESCRIPTION	ROUGHING MEASUREMENT	
		A	B
113C21G17	1-1/2" center outlet waste	21"	6"

See options and accessories section for details on product variations.



ASME A112.18.2/CSA B125.2

Specifications:

Center outlet continuous waste with chrome plated satin cast brass tee, chrome plated 17 or 20 gauge seamless brass waste arms, brass tailpiece and nuts.



WARNING:

This product can expose you to chemicals including lead, which is known to the State of California to cause cancer, and birth defects or other reproductive harm. For more information go to www.P65Warnings.ca.gov.



McGuire Manufacturing Co., Inc.

60 Grandview Court
Cheshire, Connecticut 06410
(203) 699-1801 Fax (203) 699-1813
customerservice@mcguiremfg.com mcguiremfg.com

PRODUCT SPECIFICATION

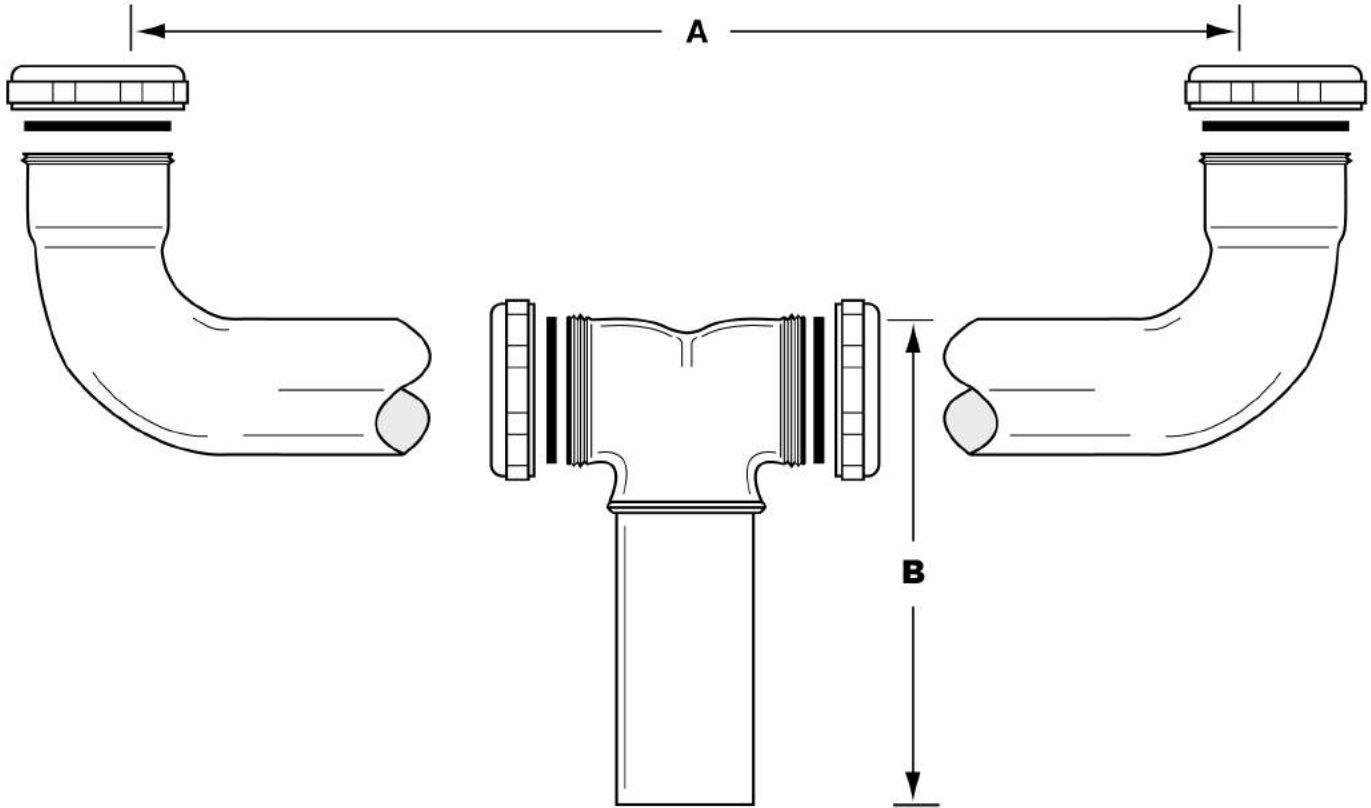
Part No.

113C21G20

**Center Outlet
Continuous Waste**

Job Name:

Submittal Number:



NO.	DESCRIPTION	ROUGHING MEASUREMENT	
		A	B
113C21G20	1-1/2" center outlet waste	21"	6"

See options and accessories section for details on product variations.



ASME A112.18.2/CSA B125.2

Specifications:

Center outlet continuous waste with chrome plated satin cast brass tee, chrome plated 17 or 20 gauge seamless brass waste arms, brass tailpiece and nuts.



WARNING:

This product can expose you to chemicals including lead, which is known to the State of California to cause cancer, and birth defects or other reproductive harm. For more information go to www.P65Warnings.ca.gov.



McGuire Manufacturing Co., Inc.

60 Grandview Court
Cheshire, Connecticut 06410
(203) 699-1801 Fax (203) 699-1813
customerservice@mcguiremfg.com mcguiremfg.com

PRODUCT SPECIFICATION

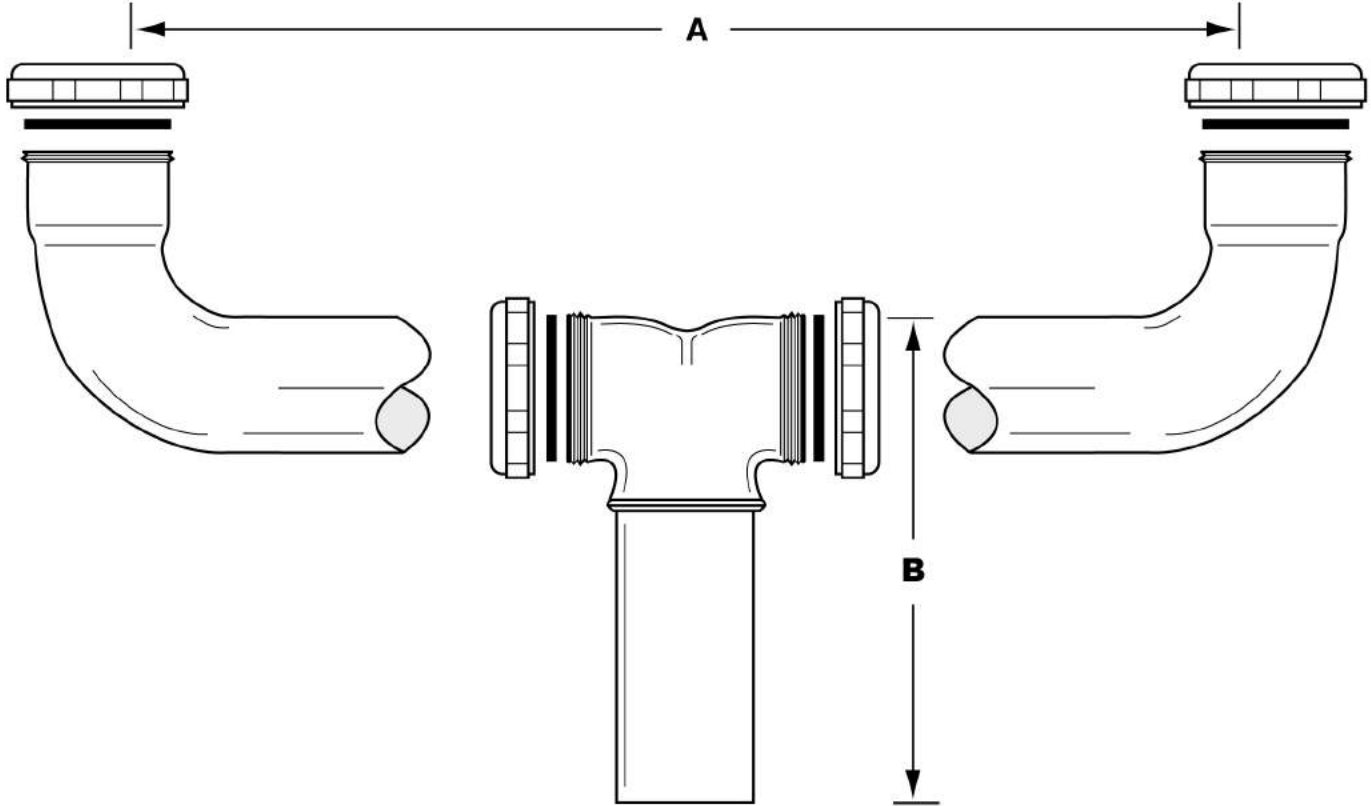
Part No.

113C25G17

**Center Outlet
Continuous Waste**

Job Name:

Submittal Number:



NO.	DESCRIPTION	ROUGHING MEASUREMENT	
		A	B
113C25G17	1-1/2" center outlet waste	25"	6"

See options and accessories section for details on product variations.



ASME A112.18.2/CSA B125.2

Specifications:

Center outlet continuous waste with chrome plated satin cast brass tee, chrome plated 17 or 20 gauge seamless brass waste arms, brass tailpiece and nuts.



WARNING:

This product can expose you to chemicals including lead, which is known to the State of California to cause cancer, and birth defects or other reproductive harm. For more information go to www.P65Warnings.ca.gov.



McGuire Manufacturing Co., Inc.

60 Grandview Court
Cheshire, Connecticut 06410
(203) 699-1801 Fax (203) 699-1813
customerservice@mcguiremfg.com mcguiremfg.com

PRODUCT SPECIFICATION

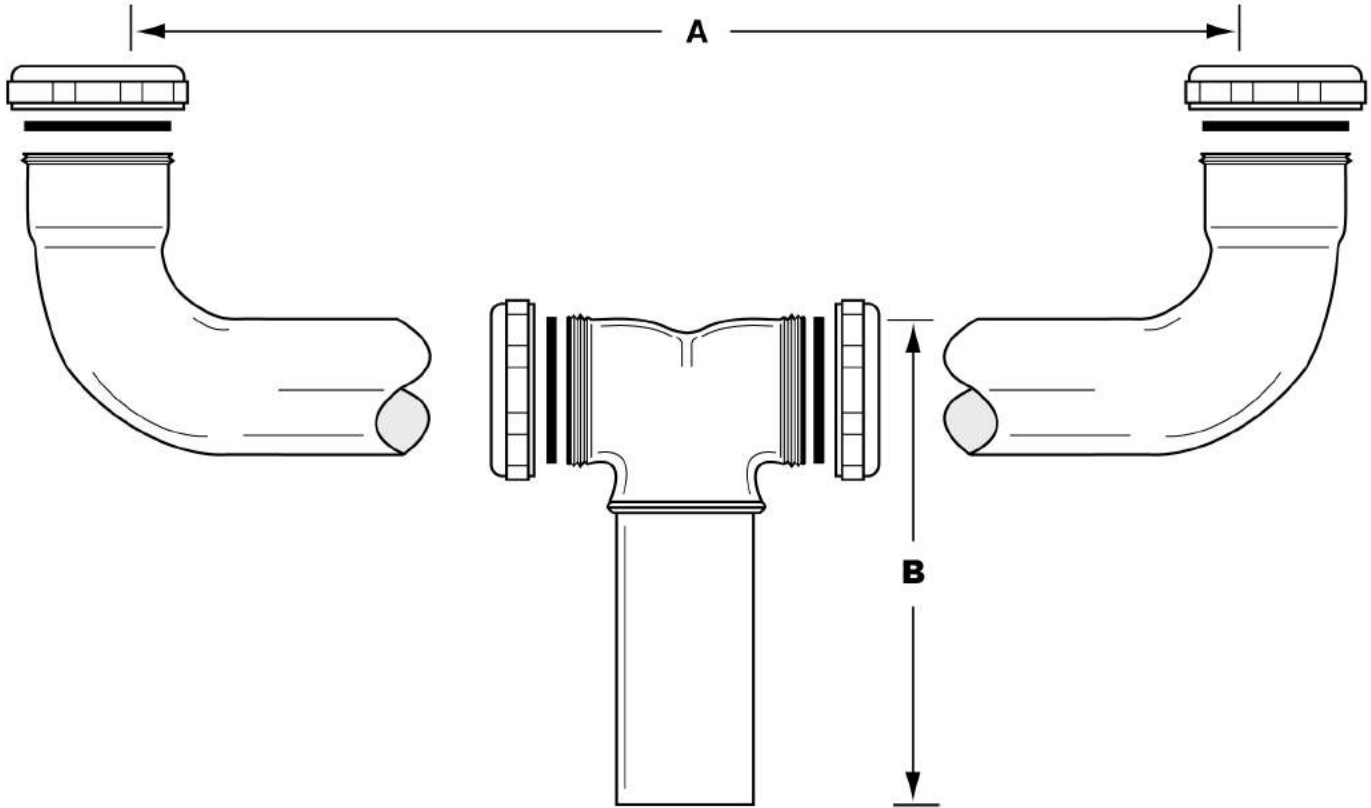
Part No.

113C25G20

**Center Outlet
Continuous Waste**

Job Name:

Submittal Number:



NO.	DESCRIPTION	ROUGHING MEASUREMENT	
		A	B
113C25G20	1-1/2" center outlet waste	25"	6"

See options and accessories section for details on product variations.



ASME A112.18.2/CSA B125.2

Specifications:

Center outlet continuous waste with chrome plated satin cast brass tee, chrome plated 17 or 20 gauge seamless brass waste arms, brass tailpiece and nuts.



WARNING:

This product can expose you to chemicals including lead, which is known to the State of California to cause cancer, and birth defects or other reproductive harm. For more information go to www.P65Warnings.ca.gov.



McGuire Manufacturing Co., Inc.

60 Grandview Court

Cheshire, Connecticut 06410

(203) 699-1801 Fax (203) 699-1813

customerservice@mcguiremfg.com mcguiremfg.com

PRODUCT SPECIFICATION

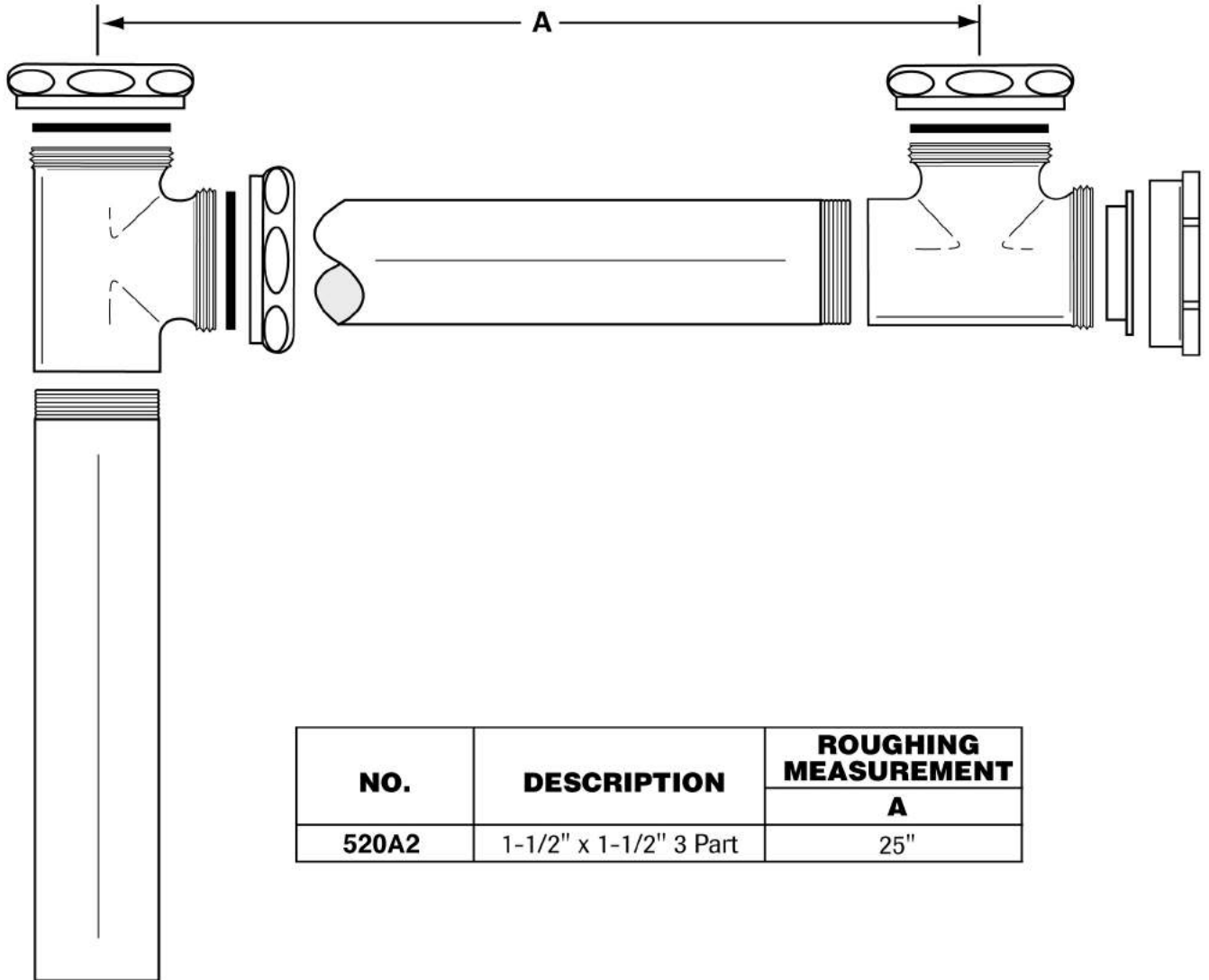
Part No.

520A2

**Heavy Duty End Outlet
Continuous Waste**

Job Name:

Submittal Number:



NO.	DESCRIPTION	ROUGHING MEASUREMENT
		A
520A2	1-1/2" x 1-1/2" 3 Part	25"

See options and accessories section for details on product variations.

Specifications:

Heavy Duty End Outlet Continuous Waste with polished chrome plated cast brass tees, 17 gauge brass tubing, cast brass slip nuts and cleanout end caps.



WARNING:

This product can expose you to chemicals including lead, which is known to the State of California to cause cancer, and birth defects or other reproductive harm. For more information go to www.P65Warnings.ca.gov.



McGuire Manufacturing Co., Inc.

60 Grandview Court
Cheshire, Connecticut 06410
(203) 699-1801 Fax (203) 699-1813
customerservice@mcguiremfg.com mcguiremfg.com

PRODUCT SPECIFICATION

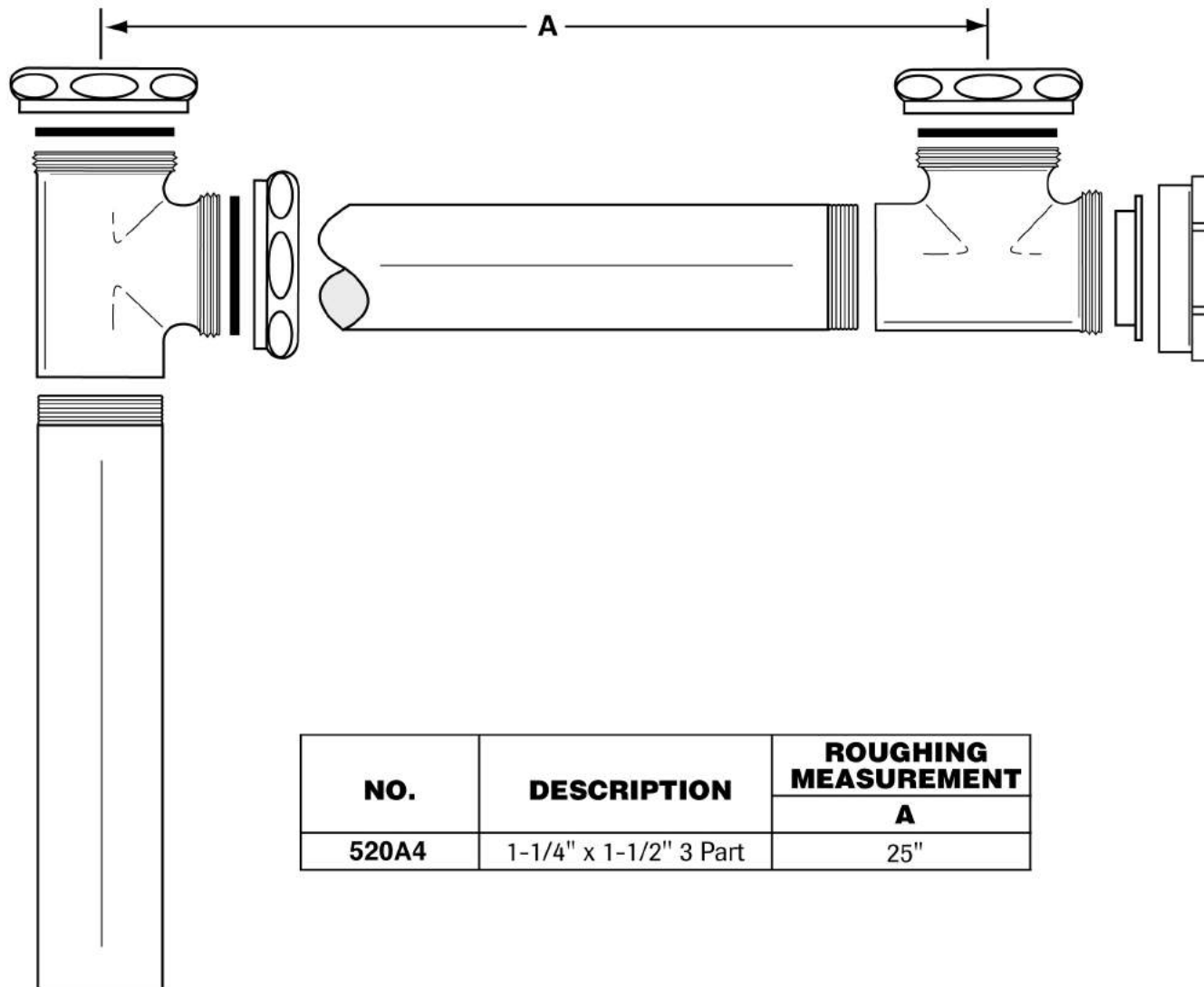
Part No.

520A4

**Heavy Duty End Outlet
Continuous Waste**

Job Name:

Submittal Number:



NO.	DESCRIPTION	ROUGHING MEASUREMENT
		A
520A4	1-1/4" x 1-1/2" 3 Part	25"

See options and accessories section for details on product variations.

Specifications:

Heavy Duty End Outlet Continuous Waste with polished chrome plated cast brass tees, 17 gauge brass tubing, cast brass slip nuts and cleanout end caps.



WARNING:

This product can expose you to chemicals including lead, which is known to the State of California to cause cancer, and birth defects or other reproductive harm. For more information go to www.P65Warnings.ca.gov.



McGuire Manufacturing Co., Inc.

60 Grandview Court

Cheshire, Connecticut 06410

(203) 699-1801 Fax (203) 699-1813

customerservice@mcguiremfg.com mcguiremfg.com

PRODUCT SPECIFICATION

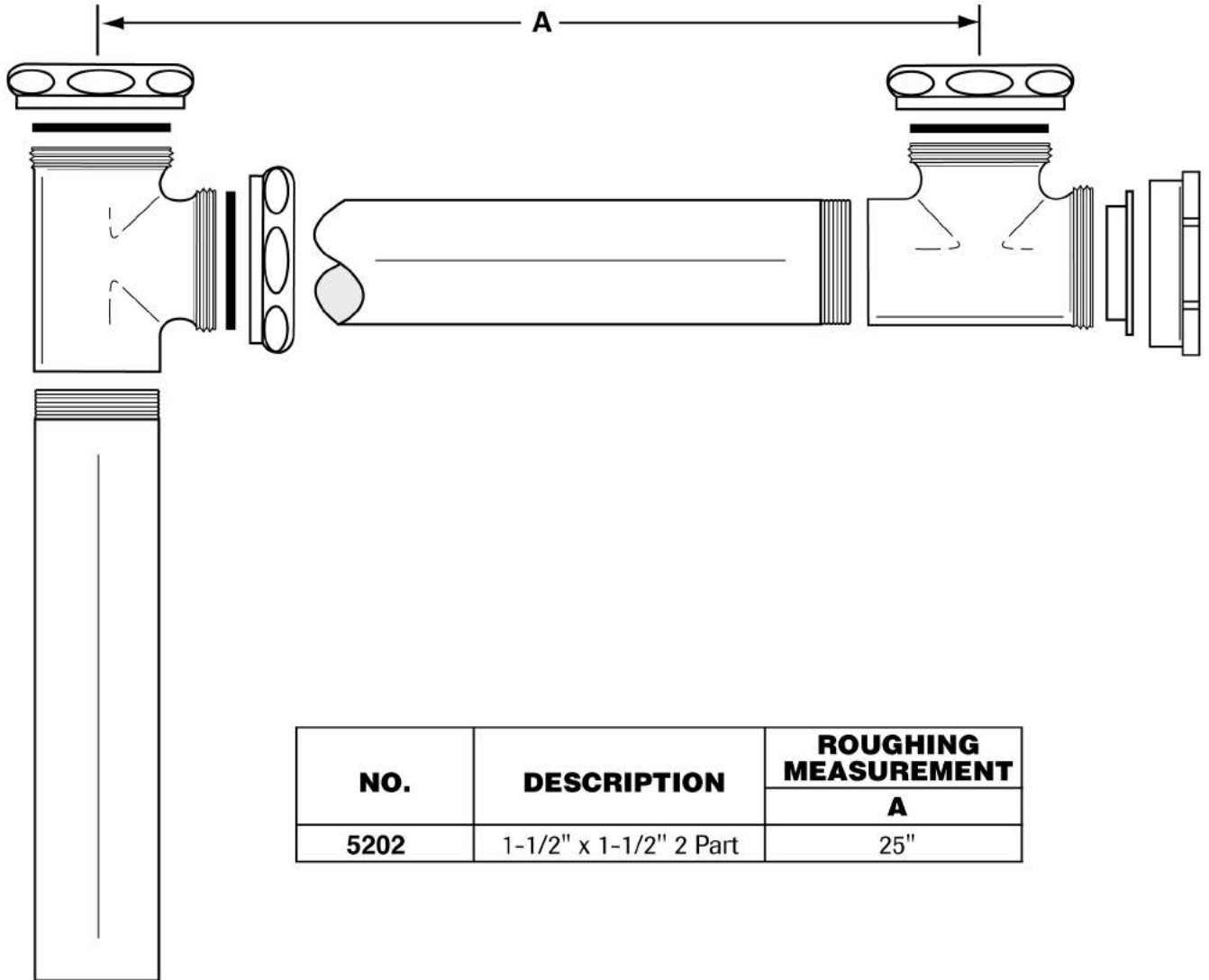
Part No.

5202

**Heavy Duty End Outlet
Continuous Waste**

Job Name:

Submittal Number:



NO.	DESCRIPTION	ROUGHING MEASUREMENT
		A
5202	1-1/2" x 1-1/2" 2 Part	25"

See options and accessories section for details on product variations.

Specifications:

Heavy Duty End Outlet Continuous Waste with polished chrome plated cast brass tees, 17 gauge brass tubing, cast brass slip nuts and cleanout end caps.



WARNING:

This product can expose you to chemicals including lead, which is known to the State of California to cause cancer, and birth defects or other reproductive harm. For more information go to www.P65Warnings.ca.gov.



McGuire Manufacturing Co., Inc.

60 Grandview Court
Cheshire, Connecticut 06410
(203) 699-1801 Fax (203) 699-1813
customerservice@mcguiremfg.com mcguiremfg.com

PRODUCT SPECIFICATION

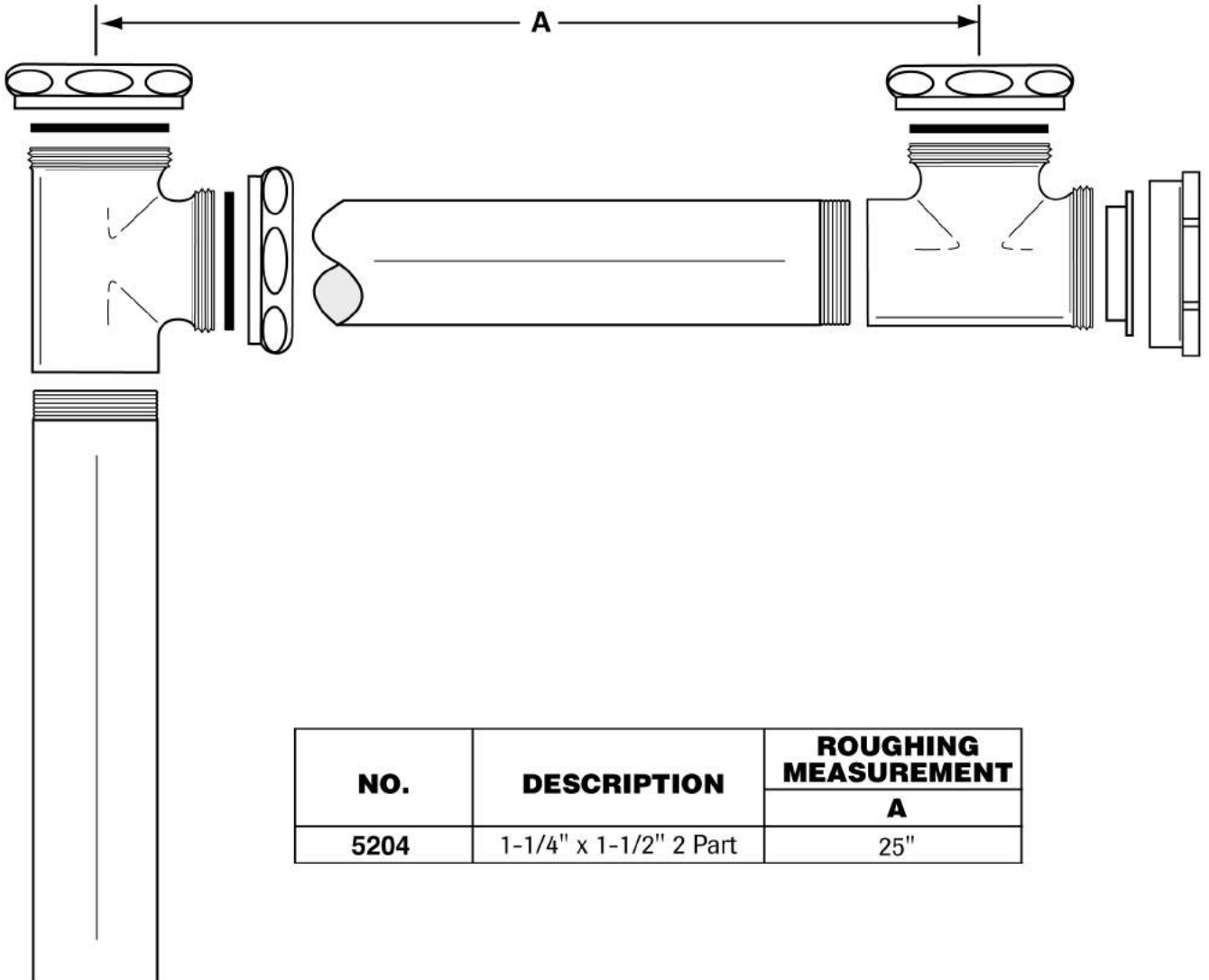
Part No.

5204

**Heavy Duty End Outlet
Continuous Waste**

Job Name:

Submittal Number:



NO.	DESCRIPTION	ROUGHING MEASUREMENT
		A
5204	1-1/4" x 1-1/2" 2 Part	25"

See options and accessories section for details on product variations.

Specifications:

Heavy Duty End Outlet Continuous Waste with polished chrome plated cast brass tees, 17 gauge brass tubing, cast brass slip nuts and cleanout end caps.



WARNING:

This product can expose you to chemicals including lead, which is known to the State of California to cause cancer, and birth defects or other reproductive harm. For more information go to www.P65Warnings.ca.gov.



McGuire Manufacturing Co., Inc.

60 Grandview Court

Cheshire, Connecticut 06410

(203) 699-1801 Fax (203) 699-1813

customerservice@mcguiremfg.com mcguiremfg.com

PRODUCT SPECIFICATION

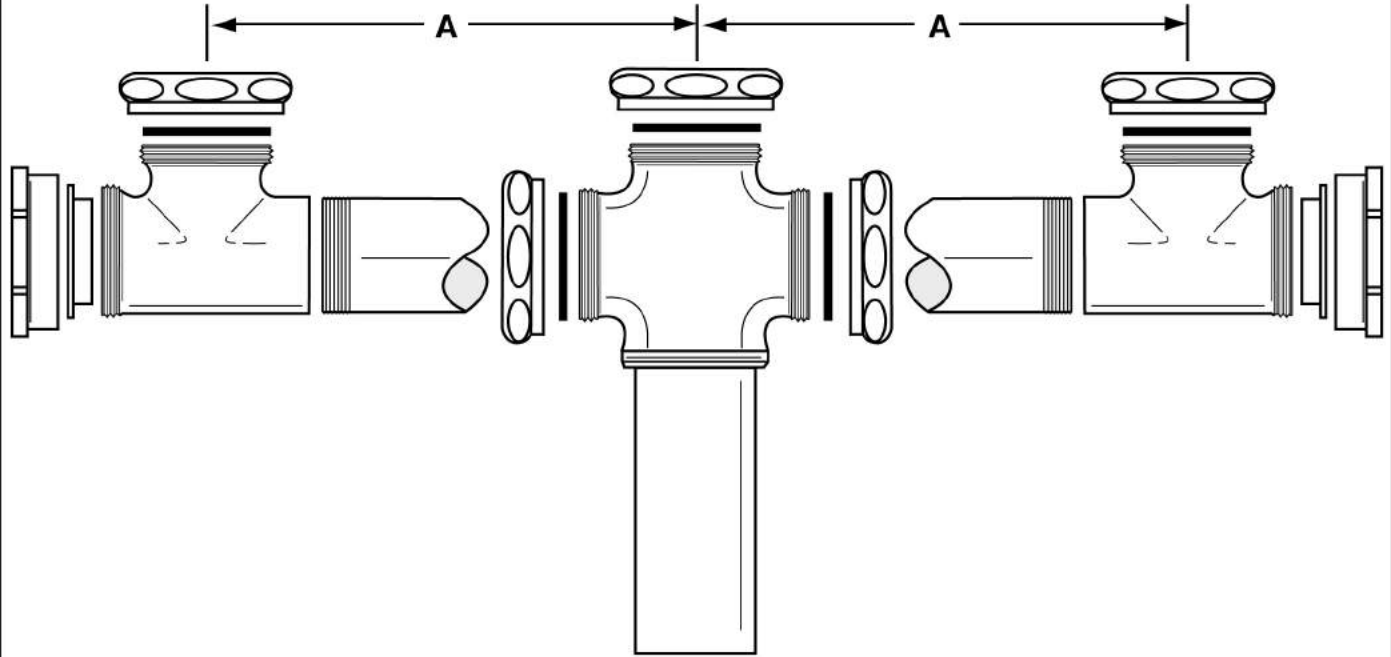
Part No.

5212

**Heavy Duty Center Outlet
Continuous Waste**

Job Name:

Submittal Number:



NO.	DESCRIPTION	ROUGHING MEASUREMENT
		A
5212	1-1/2" x 1-1/2" 3 Part 25" Center	25"

See options and accessories section for details on product variations.

Specifications:

Heavy Duty Center Outlet Continuous Waste with heavy polished chrome plated cast brass tees, 17 gauge seamless brass tubing, cast brass slip nuts and cleanout end caps.



WARNING:

This product can expose you to chemicals including lead, which is known to the State of California to cause cancer, and birth defects or other reproductive harm. For more information go to www.P65Warnings.ca.gov.



McGuire Manufacturing Co., Inc.

60 Grandview Court

Cheshire, Connecticut 06410

(203) 699-1801 Fax (203) 699-1813

customerservice@mcguiremfg.com mcguiremfg.com

PRODUCT SPECIFICATION

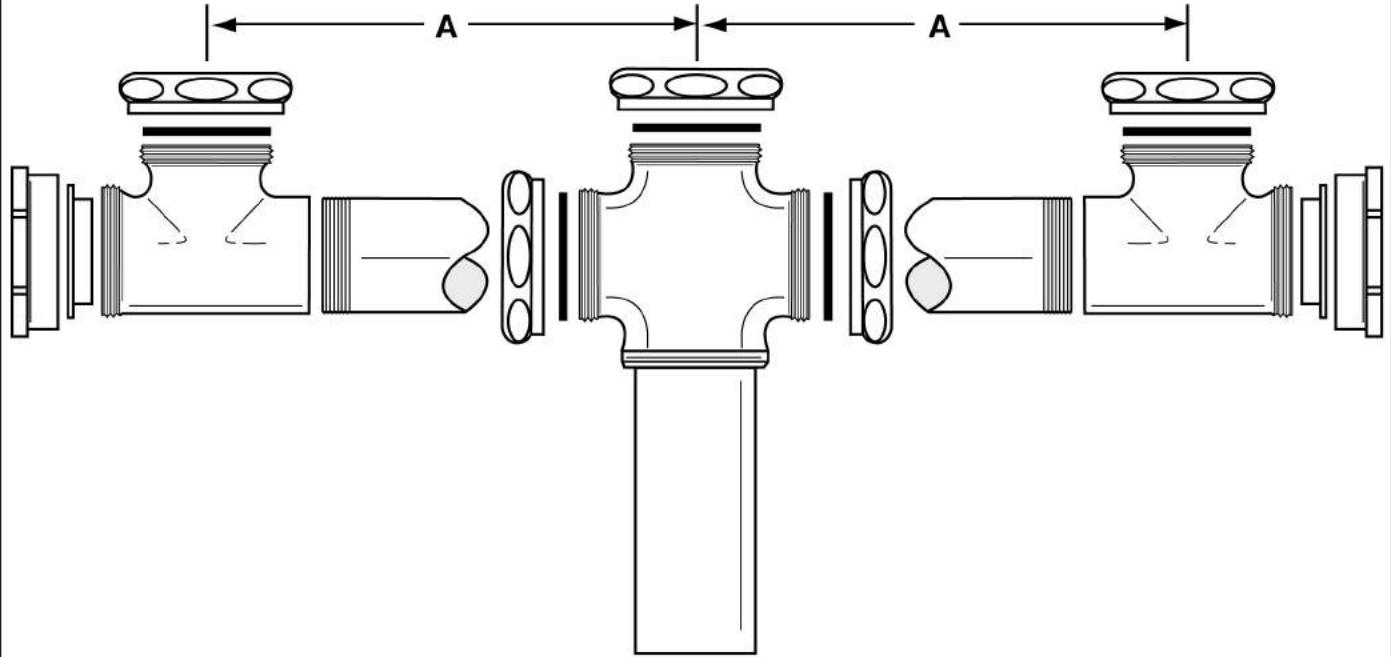
Part No.

5214

**Heavy Duty Center Outlet
Continuous Waste**

Job Name:

Submittal Number:



NO.	DESCRIPTION	ROUGHING MEASUREMENT
		A
5214	1-1/4" Inlet x 1-1/2" 3 Part 25" Center	25"

See options and accessories section for details on product variations.

Specifications:

Heavy Duty Center Outlet Continuous Waste with heavy polished chrome plated cast brass tees, 17 gauge seamless brass tubing, cast brass slip nuts and cleanout end caps.



WARNING:

This product can expose you to chemicals including lead, which is known to the State of California to cause cancer, and birth defects or other reproductive harm. For more information go to www.P65Warnings.ca.gov.